

# NH DC 1000V - Fuse-links

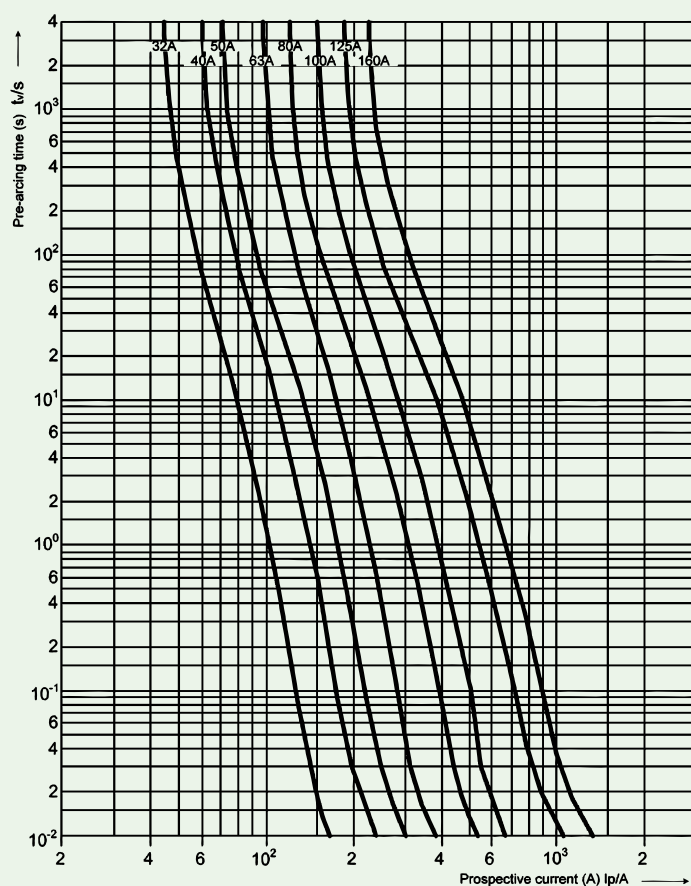
## General characteristics

Rated voltage	1000V d.c. (L/R = 2ms)
Breaking capacity	20 kA d.c.
Standards Fuse-links	IEC 60269-6 ed 1.0 (2010-9), IEC 60269-4
Application	Fuse-link for DC application. Applied in fuse base PK0 and PK1 DC.



## DC 1000 V

$I_n$ [A]	gPV		Power dissipation [W]	Pre-arcing Joule integral [I <sup>2</sup> t] (L/R = 2ms)	Operating Joule integral [I <sup>2</sup> t] (L/R = 2ms)	Weight [g]	Packaging [pcs]
	Code No. Size 0	Code No. Size 1C					
32	004110381	004110371	7,6	52	430	280/0 300/1C	3/45
40	004110383	004110373	8,8	96	730		
50	004110384	004110374	11,0	155	920		
63	004110385	004110375	13,5	290	1.760		
80	004110386	004110376	17,0	520	3.160		
100	004110387	004110377	21,0	1.110	5.280		
125	004110388	004110378	22	2.800	11.340		
160	004110389	004110379	32	5.950	20.750		



gPV, PV(gR) 750V, 1000V t-I characteristics



# NH DC 1000V - Fuse-links



### General characteristics

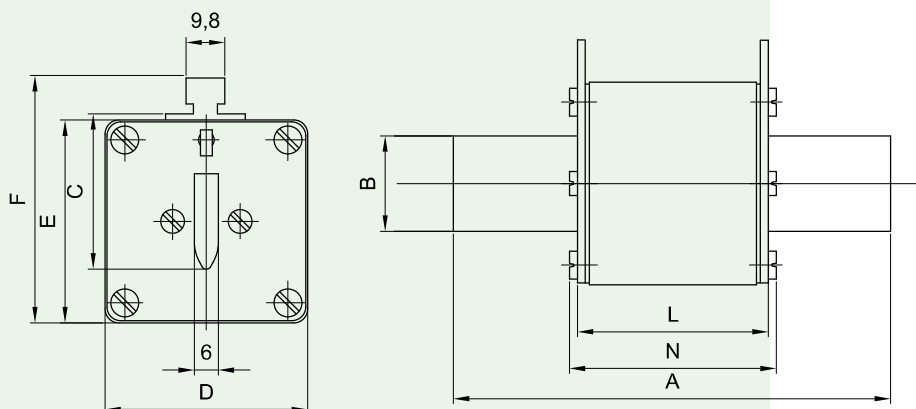
Rated voltage	1000V d.c. (L/R=1ms)
Breaking capacity	30kA d.c.
Standards	IEC 60269-6 ed. 1.0
Application	Fuse link for DC application. Applied in fuse base PK1, 2, 3 1000V d.c..

### DC 1000V gPV

Size	$I_n$ [A]	gPV Standard indicator Code No. Pic.1	gPV $S_{110}$ screw contact Code No. Pic.2	gPV $U_{110}$ screw contact Code No. Pic.3	gPV G screw contact with centre trip indicator for microswitch MK Code No. Pic.4	Power dissipation ( $0,7 \times I_n$ ) [W]	Power dissipation [W]	Pre-arcing Joule integral [I <sup>2</sup> t] (L/R = 1ms)	Operating Joule integral [I <sup>2</sup> t] (L/R = 1ms)	Weight [g]	Packaging [pcs]
1	200	004110342				11	27	4.400	29.000	500	3/24
	250	004110344	004110293	004110297	004110347	15	36	6.000	38.000	650	1/16 (G screw contact: 2/32)
2	200	004110343	004110292	004110296	004110346	11	26	4.400	29.000	1200	3/15 (G screw contact: 2/9)
	160	004110456				15	38	5.000	10.000		
	200	004110455				18	45	10.000	20.000		
	250	004110458				18	44	20.000	40.000		
	315	004110460	004110294	004110298	004110232	24	54	40.000	80.000		
	350	004110459	004110348	004110349	004110233	25	55	45.000	90.000		
3	400	004110457	004110295	004110299	004110234	24	58	46.000	138.000		



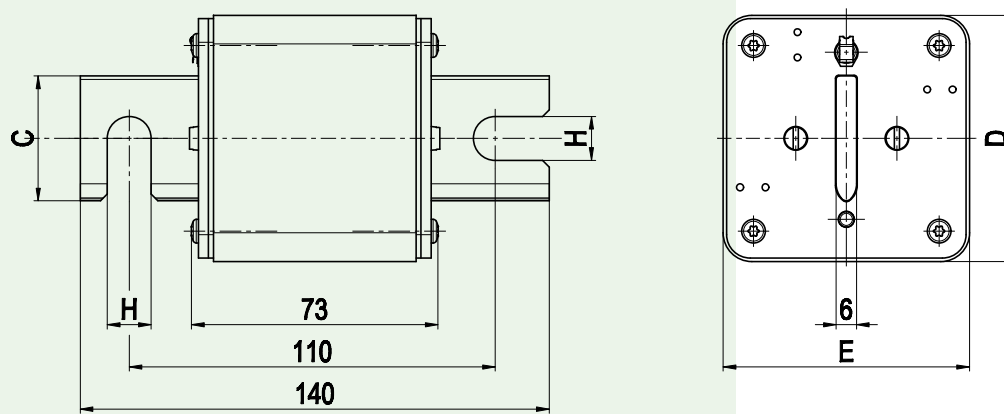
Pic.1



Standard indicator

Size	A	B	C	D	E	F	L	N
1	135	24	42	51	51	67	70	74
2	150	30	48	61	61	71	70	74
3	150	37	60	73	73	87	70	74

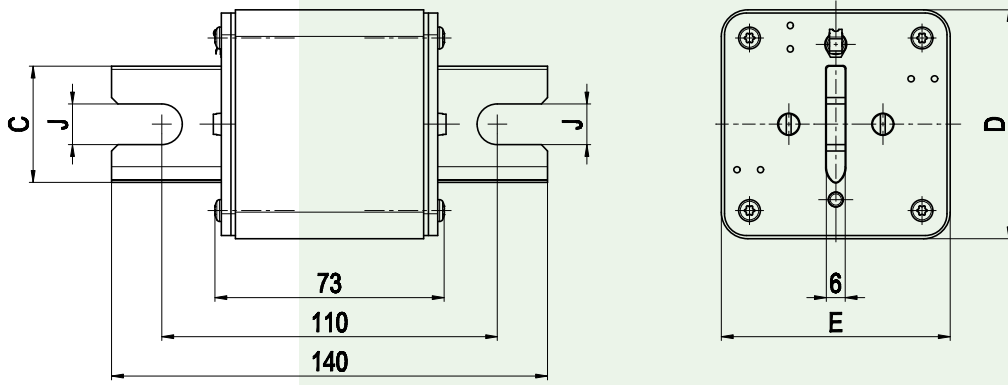
Pic.2



S<sub>110</sub> screw contact

Size	C	E	D	H
2	30	60	60	11
3	37	73	73	11

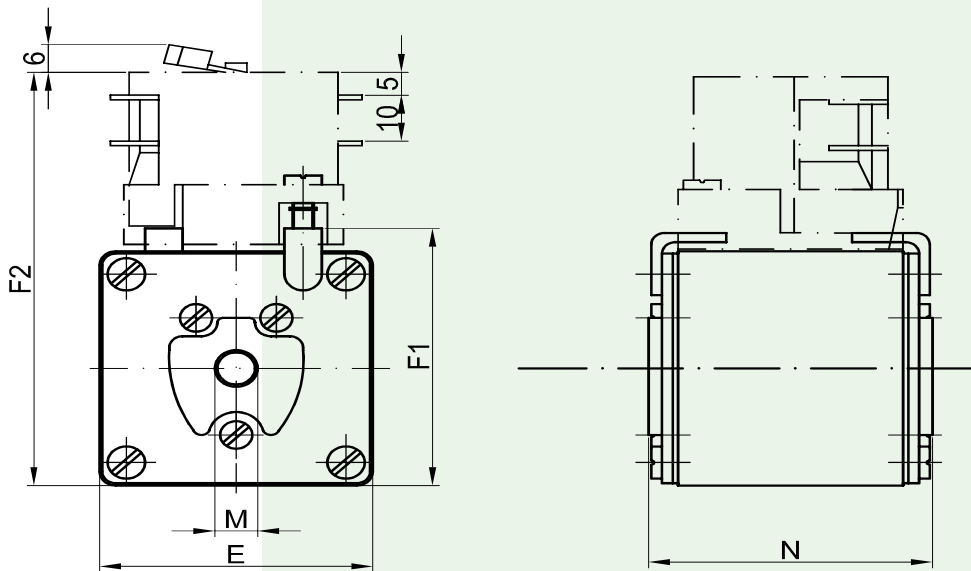
Pic.3



**U<sub>110</sub> screw contact**

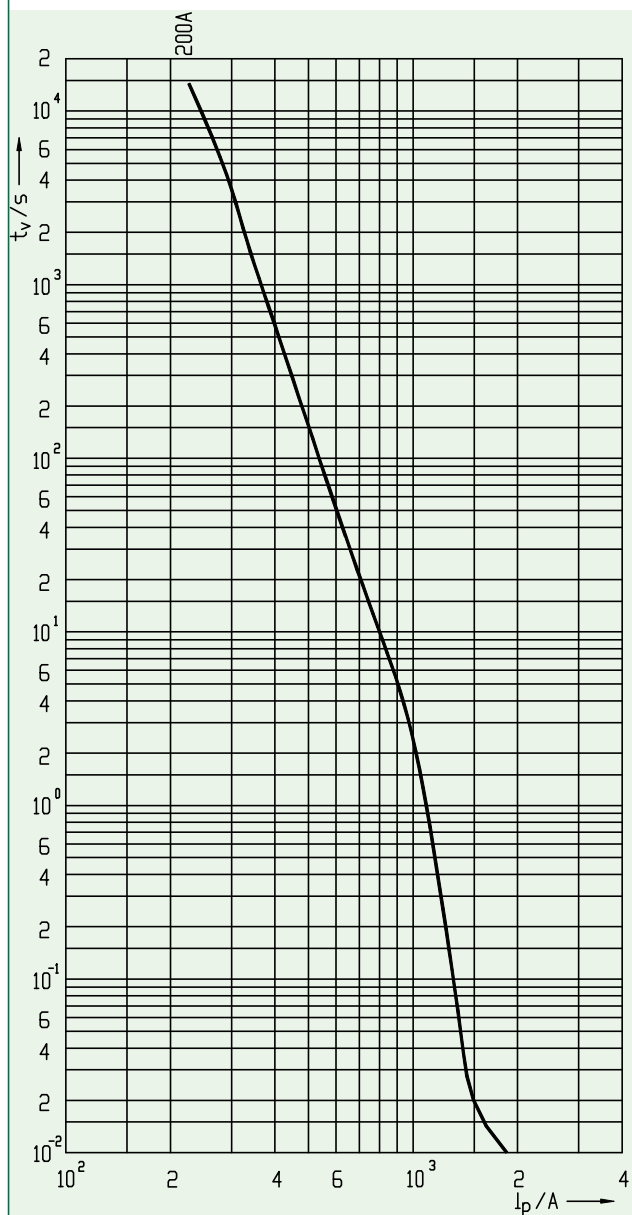
Size	C	J	E	D
2	30	13	60	60
3	37	13	73	73

Pic.4

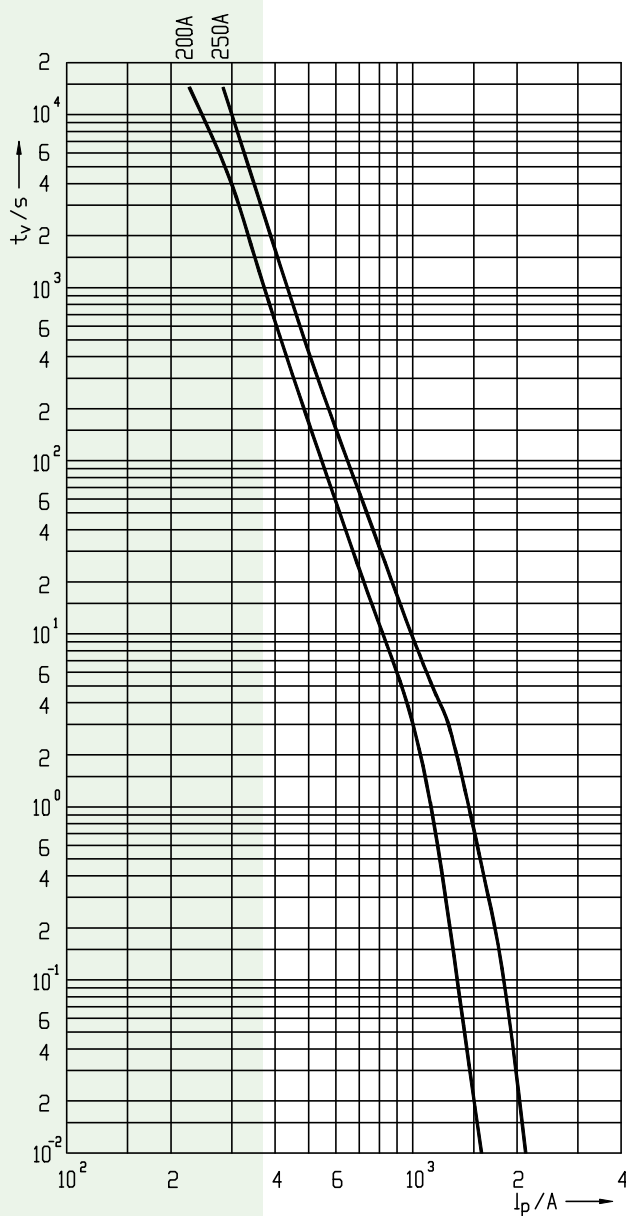


**G screw contact**

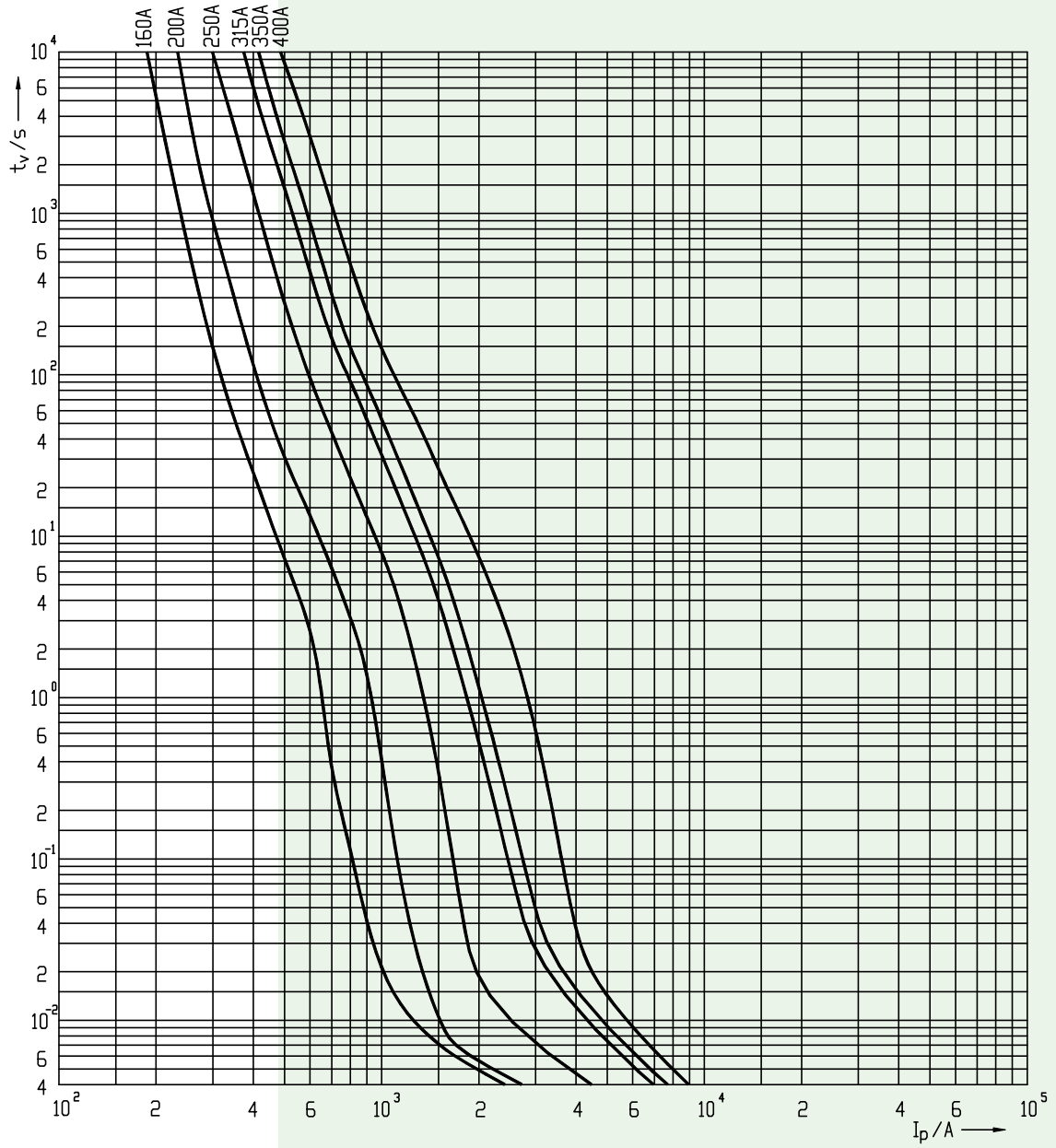
Size	D	E	F1	F2	M	N
2	60	60	65	99	M10	75
3	75	75	80	114	M12	75



**NH1 gPV  
1000V t-I  
characteristics**



**NH2 gPV  
1000V t-I  
characteristics**



NH3 gPV 1000V t-I characteristics

# NH DC 1000V - Fuse-links

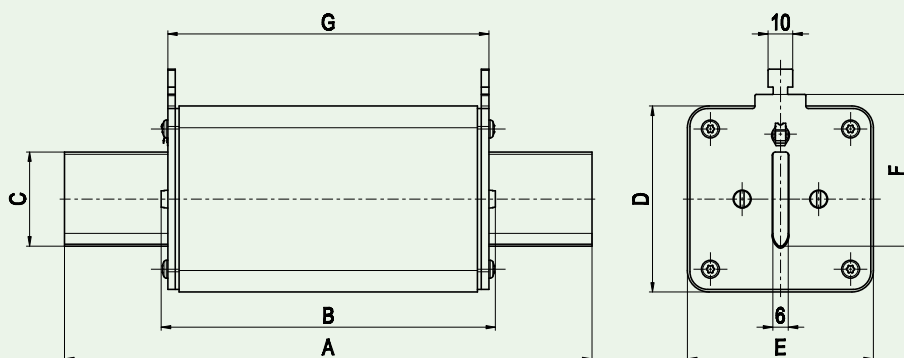
Patented technology  
by  
European Patent Office

## General characteristics

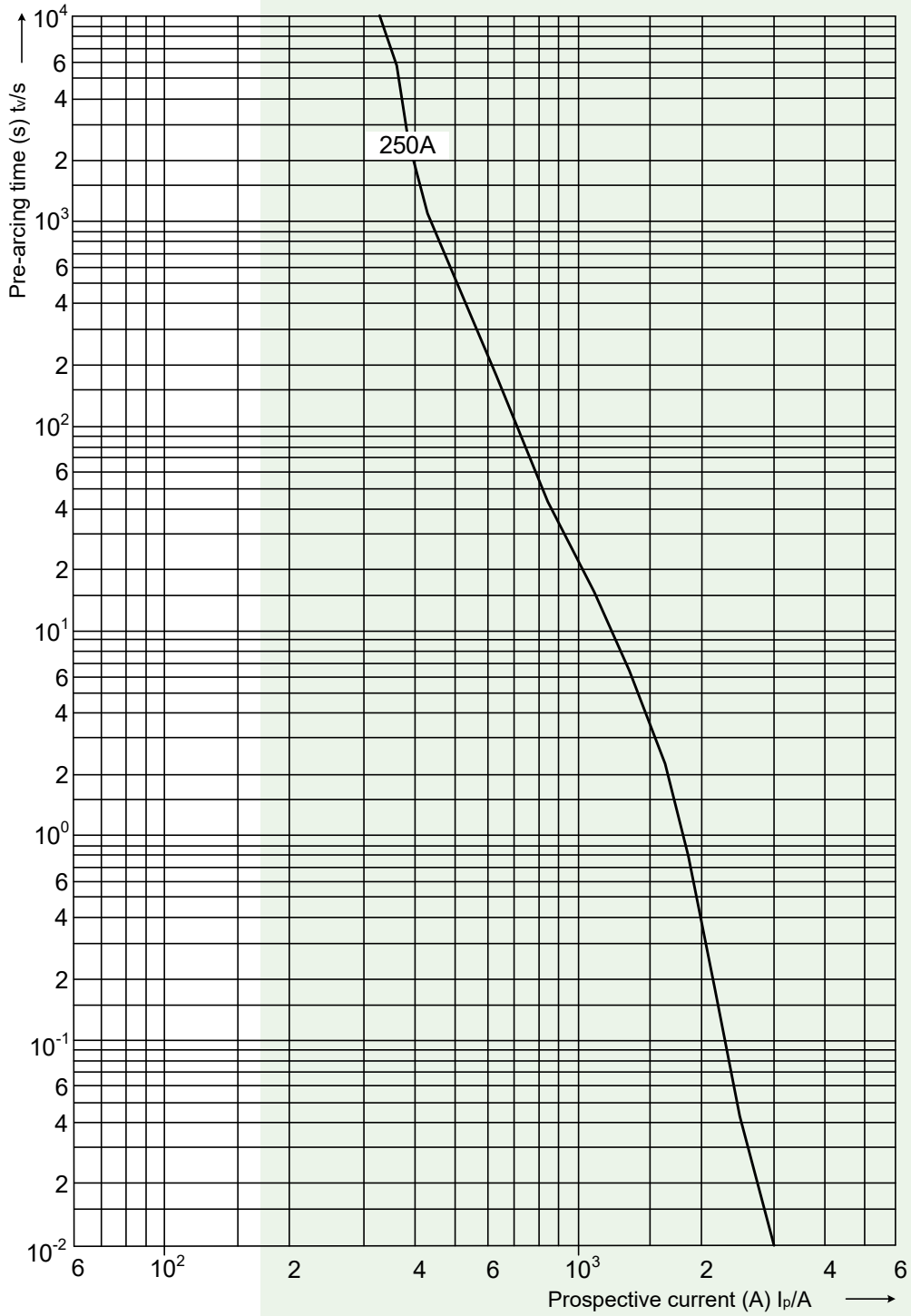
Rated voltage	1000V d.c. (L/R=2ms)
Breaking capacity	30kA d.c.
Standards	IEC 60269-6
Application	Fuse link for DC application. Applied in fuse base PK XL

## DC 1000V gPV

Size	$I_n$ [A]	gPV Standard indicator	Power dissipation ( $0,7 \times I_n$ ) [W]	Power dissipation [W]	Pre-arcing Joule integral [ $I^2t$ ] (L/R = 2ms)	Operating Joule integral [ $I^2t$ ] (L/R = 2ms)	Weight [g]	Packaging [pcs]
1XL	250	004110646	24	42	19.000	180.000	950	1/15



Size	Dimensions [mm]						
	A	B	C	D	E	F	G
1XL	192	131	24	51	51	41	125



NH 1XL gPV 1000V t-I characteristics