

Steel and/or aluminium DIN rails standardized as per European norms which allows fitting modular electrical devices and others inside electrical panel boards.

Two general DIN rail types:
SYMMETRICAL, also said "Ω", available in three sizes.
ASYMMETRICAL, also said "G".

Steel 30x15 "C" profile
Used to make infrastructures inside the electrical panel board and/or as support for equipment or wiring elements.

Accessories

Wide range of clips and fasteners making it possible to conveniently fasten equipment with no provision for direct fitting on DIN rail and to fasten or space the same rail inside the panel board.

Tools

Cutting and punching tools for DIN rail, extremely easy to use. Neat cut without burrs and material waste; supporting rail for accurate cut at 90°, ruler supplied for repeated cuts up to 1 meter. Maintenance-free.

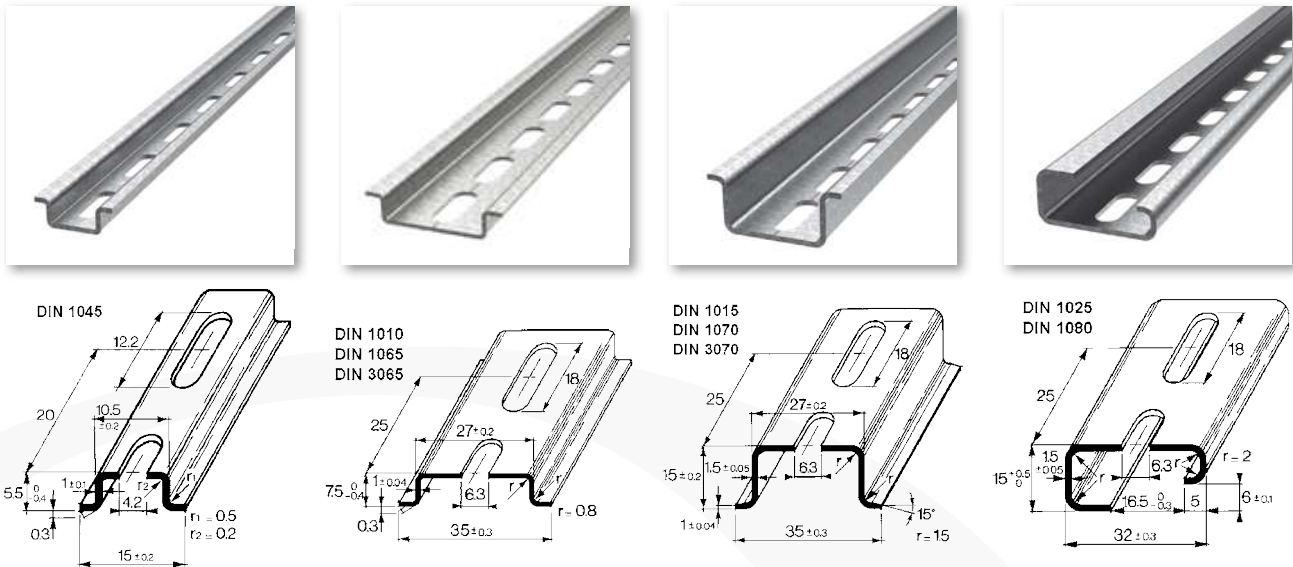
TECHNICAL FEATURES

Passivated galvanized steel
Sendimir galvanized steel
Aluminium
High mechanical resistance
Compliant with standards
EN 60715 - DIN 46277

Available in solid and punched versions
Standard length: 2 meters
Some references available
in 3 meters length

TECHNICAL FEATURES

Passivated galvanized steel and plastic
High mechanical resistance

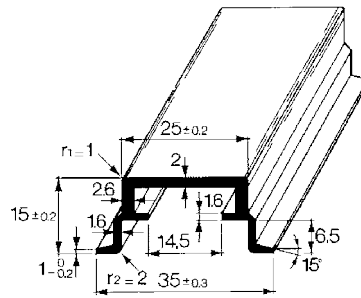
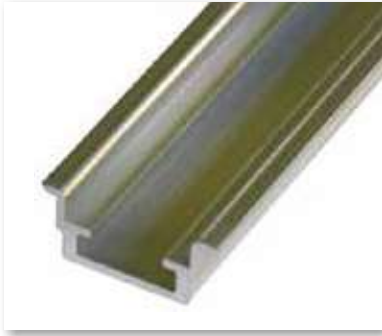


PASSIVATED GALVANIZED STEEL (RoHS)

Code	Reference	Length (m)		Weight (Kg/pc)
Symmetrical solid DIN rail				
DIN1040	DIN NF15H5	2	20	0,33
DIN1000	DIN NF35H7	2	20	0,70
DIN1005	DIN NF35H15	2	10	1,34
Symmetrical punched DIN rail				
DIN1045	DIN F15H5	2	20	0,33
DIN1010	DIN F35H7	2	20	0,60
DIN1015	DIN F35H15	2	10	1,23
Asymmetrical solid DIN rail				
DIN1020	DIN GNF	2	10	1,46
Asymmetrical punched DIN rail				
DIN1025	DIN GF	2	10	1,38

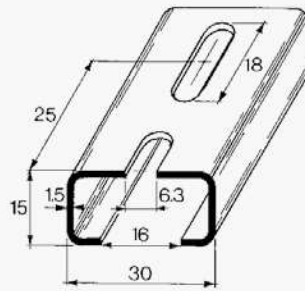
SENDZIMIR GALVANIZED STEEL (RoHS)

Code	Reference	Length (m)		Weight (Kg/pc)
Symmetrical solid DIN rail				
DIN1055	DIN NF35H7Z	2	20	0,7
DIN1060	DIN NF35H15Z	2	10	1,34
DIN3055	DIN NF35H7Z-3	3	10	1,05
DIN3060	DIN NF35H15Z-3	3	10	2,01
Symmetrical punched DIN rail				
DIN1065	DIN F35H7Z	2	20	0,6
DIN1070	DIN F35H15Z	2	10	1,23
DIN3065	DIN F35H7Z-3	3	10	0,9
DIN3070	DIN F35H15Z-3	3	10	1,84
Asymmetrical solid DIN rail				
DIN1075	DIN ANFZ	2	10	1,46
DIN3075	DIN ANFZ-3	3	10	2,19
Asymmetrical punched DIN rail				
DIN1080	DIN AFZ	2	10	1,38



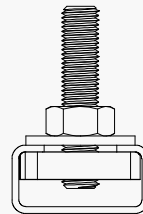
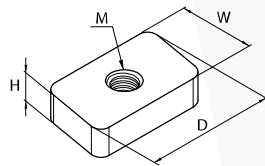
ALUMINIUM

Code	Reference	Length (m)		Weight (Kg/pc)
Symmetrical solid DIN rail				
DIN1085	DIN NFAL	2	20	0,343



C-PROFILE - PASSIVATED GALVANIZED STEEL (RoHS)

Code	Reference	Length (m)		Weight (Kg/pc)
DIN1050	CFT30H15	2	10	1,3



TECHNICAL FEATURES

Stell S235JR EN 10025
Electrogalvanized 7-8 µm

ADVANTAGES

It can be inserted into any point of the C-profile's slot by 90° rotation
The side in contact with the C-profile has a non-slip knurled finish.

RHOMBUS NUTS FOR C-PROFILE

Code	Reference		D	W	H	M	
DIN1200	DIN C30M6	10	27	16	4	M6	5
DIN1250	DIN C30M8	10	27	16	6	M8	20